

ZULJANA'S TOUCHSCREEN MONITOR ZL156TMBCAP

TOUCHSCREEN MONITORS - CUSTOM TOUCH SCREEN

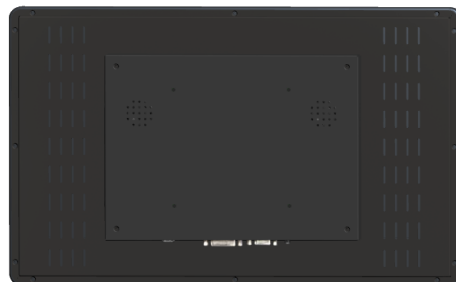
Zuljana is among the most relied-on Touchscreen Monitors manufacturers with years of experience offering significant OEMs throughout all markets. Touchscreen monitors solutions are known for their performance in a few of the toughest applications.

Our sensors are customized to your one-of-a-kind application requirements based mainly on projected capacitive (PCAP) touchscreen monitors technology. BaoBao Industrial additionally supplies integration with custom touchscreen monitors LCD/OLED displays, cover lenses, and also peripherals.



Industrial Monitors Features

- ▶ Driver support for all the current operating syst
- ▶ A+ quality LED backlight panels
- ▶ 10-Finger-Multi Touch Capacitive Touch Panel
- ▶ Patented IP65 front with silicon seal
- ▶ The most common video connectors available
- ▶ High resolution LCD Panels
- ▶ Reinforced front glass
- ▶ 1 Year Warranty



Ordering information

15.6" LCD, 300 nits ,800:1, 1920×1080 pixels, 34.6(H)×19.5(V), LED Backlight

IP Rating

IP65 front / IP40 back

LCD Panel

| | |
|--------------------------------------|-----------------|
| Screen Diagonal (Inch) | 15.6 |
| Active Display Area(cm) | 34.6(H)×19.5(V) |
| Aspect Ratio | 16:9 |
| Physical Resolution | 1920 × 1080 |
| Maximum showable resolution | 1920 × 1080 |
| Colours Displayed | 16.7M |
| Brightness (cd/m ²) | 300 nits |
| Contrast | 800:1 |
| Typical Reaction Time Tr/ Tf (ms) | 15/15 |
| Visual Angle Horizontal/Vertical (°) | 170/170 |
| Backlight/Backlight Lifetime (hours) | LED/15,000 |

Touch Panel

| | |
|-----------------------|--|
| Touch Technology | Projected Capacitive 10-point Multitouch |
| Touch Panel Drivers | Windows; Linux; Mac; Android |
| Touch Life (Contacts) | Unlimited |
| Surface Hardness | 7H |
| Glass Strengthening | Tempered Glass |
| Surface Treatment | Optical Bonding (Optional) |

Product Name

15.6" Capacitive Touch Monitor

Model Number

ZL156TMBCAP

Operation/Mechanical

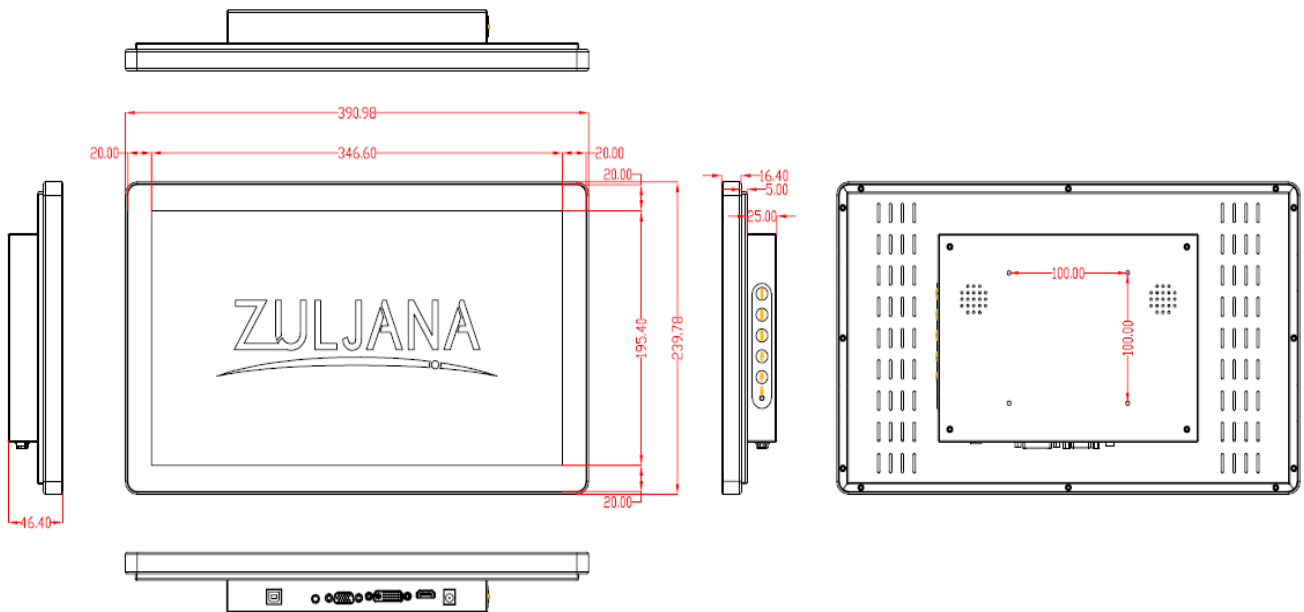
| | |
|----------------------------|--------------------------|
| Operating Temperature (°C) | -10~ + 60 |
| Humidity Range (RH) | 10% - 90% |
| Net Weight(Kg) | 4.20 |
| Gross Weight(Kg) | 5.50 (Incl.cartonage) |
| Housing Material | Aluminum front/back case |
| Housing(mm)L x W x H | 390.98 × 239.78 × 46.0 |
| Mounting | VESA 100 |

External Connectors

| | |
|-----------------|--|
| Video | 1 × HDMI 1.3 (Incl.HDCP) 1 × DVI-D 1 × VGA |
| Audio | 1 × PC-Audio |
| Touch Connector | 1 × USB |
| Connectors | 1 × 12V DC-IN |

Power

| | |
|----------------------|---|
| Power Indicator | Green LED |
| Power Supply | 100-240V ACDC Active Switching; 12V DC-Out |
| Working Power (V) | 12 |
| Working Power (W) | 12 |
| Stand-By Consumption | <1 |



Learn more about Zuljana at baobao-industries.com

+86 769 81009070

+36 706 266 786

+86 769 81009071

Enquiry@baobaoindustries.com

<https://www.baobao-industries.com>



ZULJANA