

 **24"**

ZL24PC-A

- Quad-core Cortex-A17 1.8GHz,RockChip RK3288
- 2GB System Memory,16GB Flash Memory
- Supports Android 8.1/9.0
- Anti-glare surface treatment(chemical etching)
- Outstanding image quality
- Designed for professional use
- Easily Integrated
- Desktop or wall mounting
- 2 year gurantee

Zuljana's digital signage series is the perfect system to deliver communications and use advertising displays within any organisation.giving real time access to content and a more engaging platform for the audience to interact with.

The digital signage is powered by RockChip RK3288,this version is equipped with 2GByte System Memory ,16GB Flash Memory.and is a feature rich digital signage solution that has been adopted by thousands of clients across the globe within industries including banking,finance,legal,enterprise,government,maritime,sports,arena,healthcare and hospitality.



Ordering Information	
24"LCD,250 nits(Optional),800:1,1920×1080 pixels,52.72(H)×29.67(V),RK3288,2G,16G	

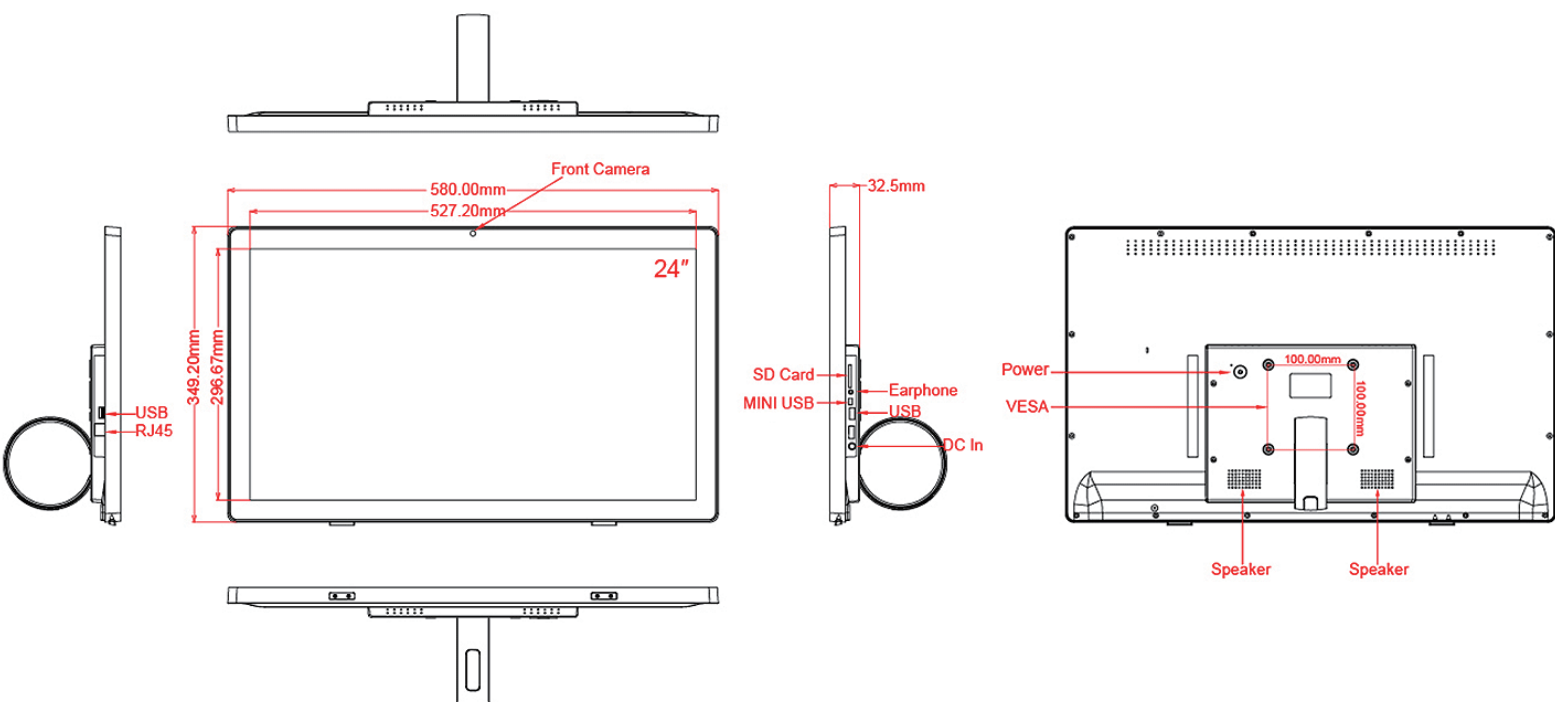
Product name	24"Interactive Digital Signage
Model No	ZL24PC-A

LCD Panel	
Screen diagonal (Inch/cm)	24/60.96
Active Display Area(cm)	52.72(H)×29.67(V)
Aspect ratio	16:9
Physical resolution	1920×1080
Brightness (cd/m <sup>2</sup> )	250
Contrast	800:1
View Angle	85/85/85/85

Operation/Mechanical	
Operating Temperature (°C)	-10 ~ +60
Humidity Range (RH)	10% - 90%
Net weight (kg)	4.8
Gross weight (kg)	6.6 (incl.cartonage)
Housing material	Plastic Case
Housing (mm) L×W×H	580.00 × 348.20 × 32.50
Mounting	VESA 100
Power Input	12V/1.5A

Andorid System	
Chipset	Quad-core Cortex-A17 1.8GHz,RockChip RK3288
System Memory	2 GB
Flash Memory	16 GB
Communication	Ethernet RJ45,Wi-Fi 802.11 b/g/n. Bluetooth 4.0,4G(optional)
OS	Android 8.1/9.0

External Connectors	
1 × 12V DC-In	
1 × HDMI	
2 × USB 2.0	EAR-Out
1 × Micro USB	1 × SD Card Slot
1 × RJ45 Port	



Shenzhen BaoBao Industrial Co., Ltd

Tel: +86 0755 23775660

Email: sales@baobao-industries.com

Website: www.baobao-industries.com

Website: www.baobao-industries.com

Address: 2 / F, Building B, Xinzhongtai Science and Technology Park,  
Guangming New District, Shenzhen