



**10.1"**

**ZL101PC-A**

- Quad-core Cortex-A17 1.8GHz, RockChip RK3288
- 2GB System Memory, 16GB Flash Memory
- Supports Android 8.1/9.0
- Anti-glare surface treatment (chemical etching)
- Outstanding image quality
- Designed for professional use
- Easily Integrated
- Desktop or wall mounting
- 2 year guarantee

Zuljana's digital signage series is the perfect system to deliver communications and use advertising displays within any organisation, giving real time access to content and a more engaging platform for the audience to interact with.

The digital signage is powered by RockChip RK3288, this version is equipped with 2GB System Memory, 16GB Flash Memory, and is a feature-rich digital signage solution that has been adopted by thousands of clients across the globe within industries including banking, finance, legal, enterprise, government, maritime, sports, arena, healthcare and hospitality.



| Ordering information  |  |
|---|--|
| 10.1"LCD,300 nits(Optional),800:1,1280×800 pixels,21.85(H)×13.65(V),RK3288,2G,16G |  |

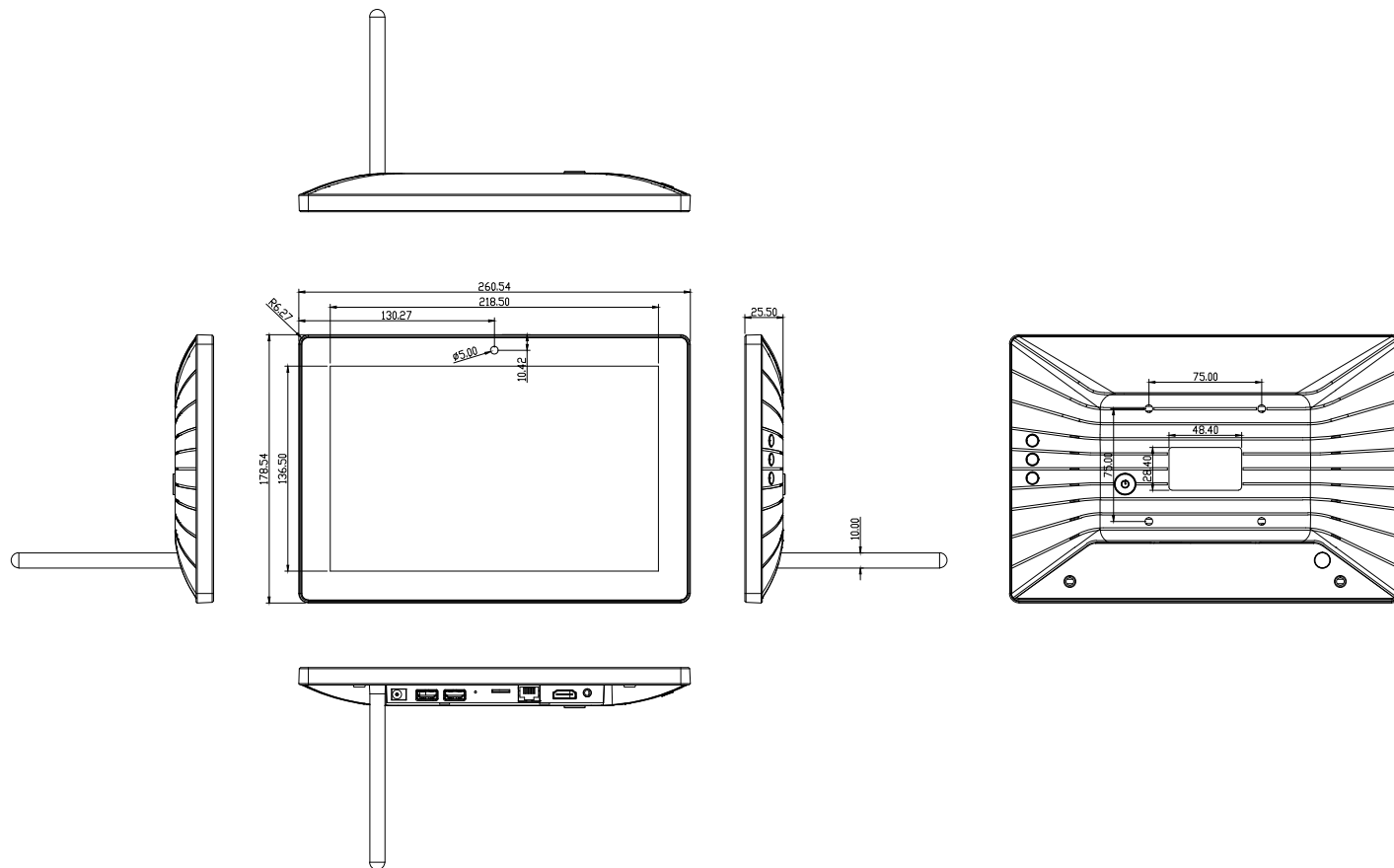
|              |                                  |
|--------------|----------------------------------|
| Product name | 10.1"Interactive Digital Signage |
| Model Number | ZL101PC-A                        |

| LCD Panel                       |                   |
|---------------------------------|-------------------|
| Screen diagonal (Inch/cm)       | 10.1/25.65        |
| Active Display Area(cm)         | 21.85(H)×13.65(V) |
| Aspect ratio                    | 16:10             |
| Physical resolution             | 1280×800          |
| Brightness (cd/m <sup>2</sup> ) | 300               |
| Contrast                        | 800:1             |
| View Angle                      | 85/85/85/85       |

| Operation/Mechanical       |                         |
|----------------------------|-------------------------|
| Operating Temperature (°C) | -10 ~ +60               |
| Humidity Range (RH)        | 10% - 90%               |
| Net weight (kg)            | 0.6                     |
| Gross weight (kg)          | 1.1 (incl.cartonage)    |
| Housing material           | Plastic Case            |
| Housing (mm) L×W×H         | 260.54 × 178.54 × 25.50 |
| Mounting                   | VESA 75                 |
| Power Input                | 12V/1.5A                |

| Andorid System |  |
|----------------|--|
| Chipset        | Quad-core Cortex-A17 1.8GHz,RockChip RK3288                  |
| System Memory  | 2 GB   |
| Flash Memory   | 16 GB  |
| Communication  | Ethernet RJ45,Wi-Fi 802.11 b/g/n. Bluetooth 4.0,4G(optional) |
| OS             | Android 8.1/9.0  |

| External Connectors |                  |
|---------------------|------------------|
| 1 × 12V DC-In       |                  |
| 1 × HDMI            |                  |
| 2 × USB 2.0         | EAR-Out          |
| 1 × Micro USB       | 1 × SD Card Slot |
| 1 × RJ45 Port       |                  |



Shenzhen BaoBao Industrial Co., Ltd

Tel: +86 0755 23775660

Email: sales@baobao-industries.com

Website: www.baobao-industries.com

Website: www.baobao-industries.com

Address: 2 / F, Building B, Xinzhongtai Science and Technology Park,  
Guangming New District, Shenzhen